



EQUIPAGGIAMENTI  
TECNICI  
LAVAGGIO

FILTRO ASPIRAZIONE ACQUA  
PLASTIC INTAKE STRAINER  
**F5**

①  
GB

6

09/09/10

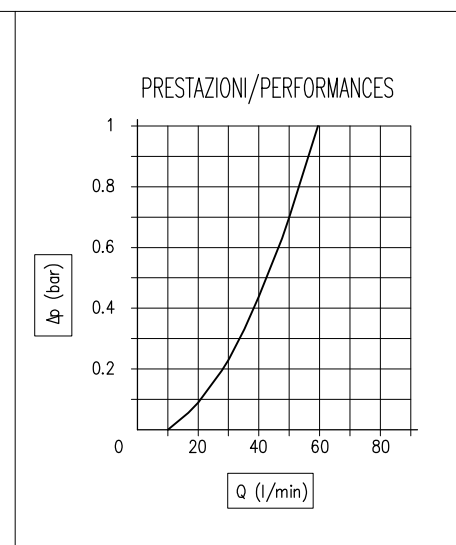
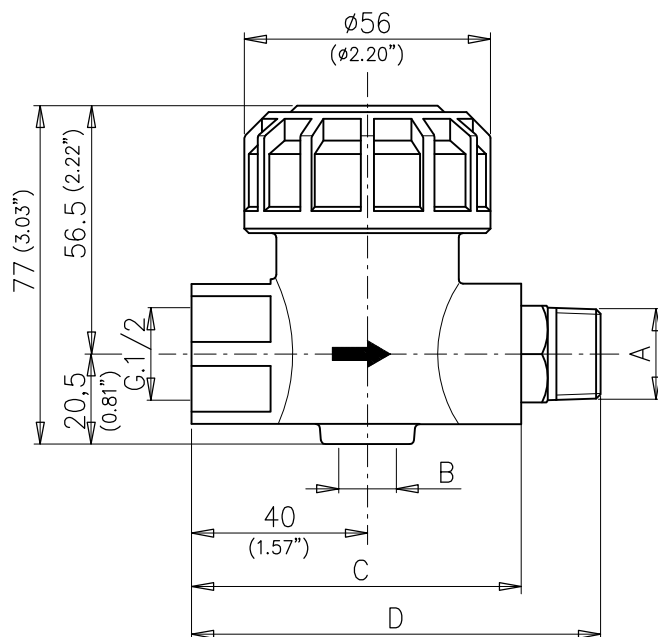
- COSTRUZIONE LEGGERA IN MATERIALE PLASTICO, (POLIPROPILENE+30%FV) CON INSERTI IN OTTONE FILETTATI.  
*LIGHT PLASTIC CONSTRUCTION (POLYPROPYLENE + 30% FV) WITH BRASS THREADED INSERTS.*
- POSSIBILITA' DI SCELTA DI DUE TIPI DIVERSI DI ATTACCHI IN USCITA, CON O SENZA BY PASS.  
*TWO DIFFERENT OUTLET CONNECTIONS AVAILABLE, BOTH WITH OR WITHOUT BY-PASS PORT.*
- CARTUCCIA IN ACCIAIO INOX AISI 304, DA 50 MESH, APERT.MAGLIE 0,30 mm , AREA TOTALE 38 cm<sup>2</sup>, SUPERFICIE FILTRANTE 13 cm<sup>2</sup>.  
*SCREEN IN STAINLESS STEEL AISI 304, 50 MESH (0,30 mm.), TOTAL SURFACE 38 cm<sup>2</sup>, FILTERING SURFACE 13 cm<sup>2</sup>.*

SPECIFICHE TECNICHE  
SPECIFICATIONS

- PRESSIONE NOMINALE RATED PRESSURE	10 bar – 1 MPa (145 psi)
- PORTATA MASSIMA MAX FLOW RATE	VEDI GRAFICO PORTATA/ΔP SEE FLOW/PRESSURE CHART
- TEMPERATURA MASSIMA MAX WORKING TEMPERATURE	40° C (105 °F)
- POTERE FILTRANTE STRAIN.POWER	300 MICRON (50 MESH)

MISURE D'INGOMBRO  
OVERALL DIMENSIONS

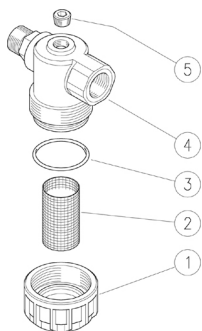
CODICE CODE	A	B	C	D
28.0300.00	Gc1/2" M	-	-	93 [3.66"]
28.0300.20	G1/2" F	-	75 [2.96"]	-
28.0350.00	Gc1/2" M	G1/4 F	-	93 [3.66"]
28.0350.20	G1/2" F	G1/4 F	75 [2.96"]	-



28.0300.00 F5-Filtro asp.G1/2 F-GcM

28.0300.20 F5-Filtro asp.G1/2 FF

28.0350.00 F5 B-Filtro asp.G1/2 F-GcM+byp.G1/4F



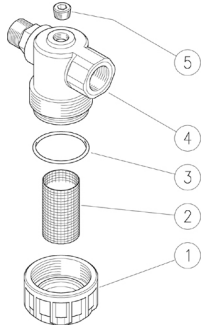
28.0350.20 F5 B-Filtro asp.G1/2 FF+byp.G1/4F

28.0360.00 F5 Bn-Filtro asp.rinf.G1/2F-GcM+byp.G1/4F

Pos.	Codice	Descrizione	Q.tà	K1	K2	K3	K4	
1	28.0303.84	Tappo filtro PP	1					3
1	28.0361.84	Tappo Filtro PA nero (1)	1					1
2	28.0306.53	Rete 27x50mm 50mesh-300µm inox	1					3
3	10.3105.00	An.Or 2x38 mm	1					10
4	28.0301.22	Corpo filtro G1/2 F-GcM PP (2)	1					3
4	28.0302.22	Corpo filtro G1/2 FF PP (3)	1					3
4	28.0351.22	Corpo filtro G1/2F-GcM-G1/4F (4)	1					5
4	28.0352.22	Corpo filtro G1/2FF-G1/4F PP nero (5)	1					1
4	28.0363.22	Corpo G1/2 F-GcM + G 1/4 F PA nero (1)	1					5
5	28.0364.31	Tappo EI Gc1/4 ott. (1)	1					10

(1) 28.0360.00 (2) 28.0300.00 (3) 28.0300.20 (4) 28.0350.00 (5) 28.0350.20

28.0300.00 F5-Suct.strainer, 1/2FM Bsp/t  
 28.0300.20 F5-Suct.strainer, 1/2FF Bsp  
 28.0350.00 F5 B-Suct.strainer,1/2 Bsp/t FM+byp.1/4F



28.0350.20 F5 B-Suct.strainer,1/2FF+byp. 1/4F Bsp  
 28.0360.00 F5 Bn-Suct.strain.,strng.,1/2Bsp/t FM+1/4F

Pos.	P/N	Description	Q.ty	K1	K2	K3	K4	
1	28.0303.84	Strainer plug, PP	1					3
1	28.0361.84	Strainer Plug PA black (1)	1					1
2	28.0306.53	Net, 27x50mm 50mesh-300µm Sst.	1					3
3	10.3105.00	O-ring, 2x38 mm	1					10
4	28.0301.22	Strainer housing, 1/2Bsp/t FM PP (2)	1					3
4	28.0302.22	Strainer housing, 1/2Bsp FF PP (3)	1					3
4	28.0351.22	Strain.housing, 1/2 Bsp/tFM-1/4F (4)	1					5
4	28.0352.22	Strain.housing, 1/2FF-1/4F Bsp PP black (5)	1					1
4	28.0363.22	Body 1/2Bsp/t FM + 1/4 F PA black (1)	1					5
5	28.0364.31	Plug, int.hex. 1/4 Bspt brass (1)	1					10

(1) 28.0360.00 (2) 28.0300.00 (3) 28.0300.20 (4) 28.0350.00 (5) 28.0350.20



P.A. S.p.A.

Via Milano, 13  
42048 Rubiera, Reggio Emilia - Italy

Tel +39.0522.623611  
Fax +39.0522.629600

info@pa-etl.it

[www.pa-etl.it](http://www.pa-etl.it)



COMPANY WITH QUALITY MANAGEMENT  
SYSTEM CERTIFIED BY DNV  
= ISO 9001 =